

**Serie | 6, Built-In Microwave, 60 x 38
cm, Black
BFL524MB0**



Included accessories

1 x Turntable

- **AutoPilot 7:** every dish is a perfect success thanks to 7 pre-set automatic programmes.

Technical data

Type of control : Electronic
Color / Material Front : Black
Cavity dimensions : 201.0 x 308.0 x 282.0 mm
Length electrical supply cord : 130 cm
Net weight : 17.0 kg
Gross weight : 19.0 kg
Approval certificates : CE, Eurasian, Morocco
: 800 W
Number of Power Levels : 5
Turntable : Yes
Cavity material : Stainless steel
Door opening : Button
Clock : Yes
Included accessories : 1 x Turntable
Main colour of product : Black
: 382 mm
: 594 mm
: 317 mm
: 800 W
: 1270 W
Fuse protection : 10 A
Voltage : 220-230 V
Frequency : 50 Hz
Plug type : GARDY plug w/ earthing
Color / Material Front : Black
Approval certificates : CE, Eurasian, Morocco
Appliance Dimensions (h x w x d) (in) : x x
Dimensions of the packed product : 17.32 x 14.96 x 25.98
Net weight : 37.000 lbs
Gross weight : 42.000 lbs



Serie | 6, Built-In Microwave, 60 x 38 cm, Black BFL524MB0

Microwave and heating mode:

- Max. Power: 800 W; 5 Microwave power settings: 90 W, 180 W, 360 W, 600 W, 800 W
- Cavity volume: 20 l

Design:

- stainless steel cavity

Comfort:

- Rotary Control, Pop-out controls, Touch control
- Touch key operation
- LED display control
- electronic clock
- User-friendly electronics: extremely easy and comfortable operation
- cookControl, 7
- 4 defrost and 3 cooking programmes in microwave function
- memory function (1 setting)
- Interior lighting
- Glass tray diameter: 25.5 cm
- Bottom, Oven door with SoftClose, Soft opening

Accessory:

- 1 x Turntable

Environment and Safety:

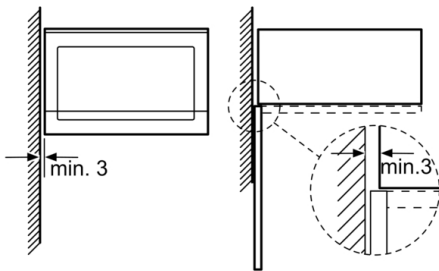
- Child lock
Automatic switch off
Start-/Stop button
Door contact switch
- Integral cooling fan
- Length of mains cable: 130 cm
- Total connected load electric: 1.27 KW
- Nominal voltage: 220 - 230 V
- Tall housing, Can be built in a 60 cm wall cupboard (at least 30cm deep)

Dimensions:

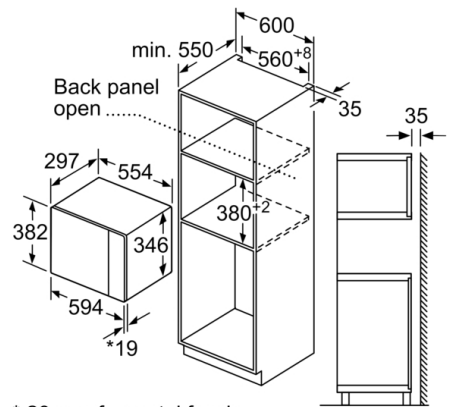
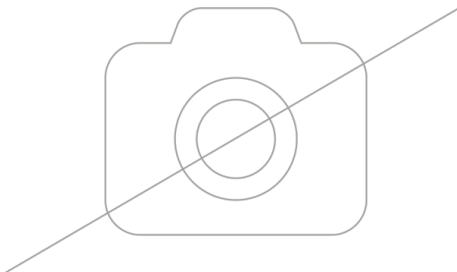
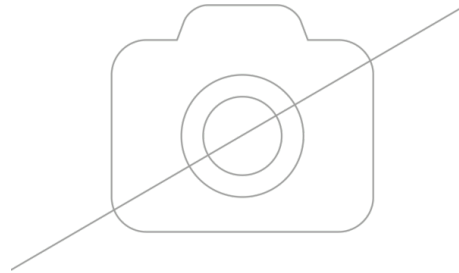
- Appliance dimension (H x W x D): 382 mm x 594 mm x 317 mm
- Niche dimension (hwxwd): 560 mm - 568 mm x 450 mm - 455 mm x 550 mm
- "Please reference the built-in dimensions provided in the installation drawing"

**Serie | 6, Built-In Microwave, 60 x 38 cm,
Black
BFL524MB0**

Microwave,
corner installation

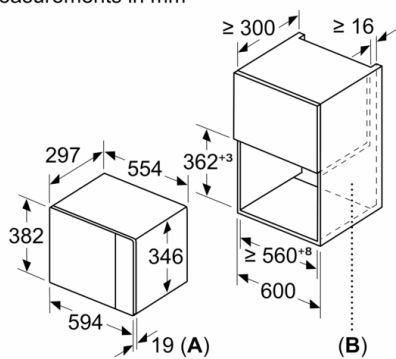


Measurements in mm



* 20 mm for metal fascia
measurements in mm

measurements in mm



A: 20 mm for metal fascia
B: Back panel open